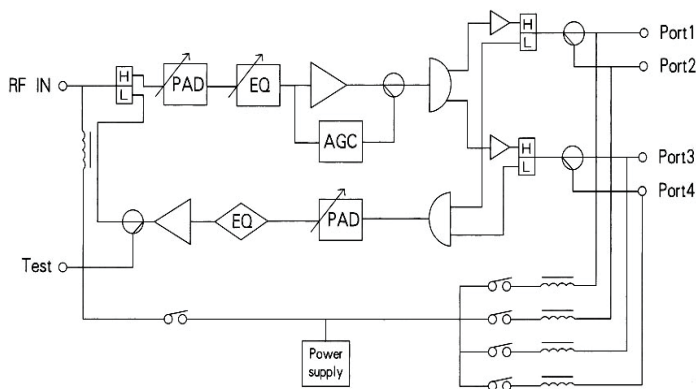


TA800 Series Two Direction Trunk Amplifier(5~1000MHz)

FEATURES

- High-quality duplex filter, split point optional
- Adjustable attenuator and equalizer in forward and reverse path
- Optional AGC circuit can compensate the output level
- RF test port in reverse path
- Two/four outputs, changeable tap/splitter
- GaSa module optional
- High reliable power supply 60V/220V AC

Schematic Figure



SPECIFICATIONS

Items	Units	Forward Path		Reverse Path
		*87-750	*87-860	5-65
Frequency Range	MHz	*87-750	*87-860	5-65
Standard Gain	dB	30	26	18
Flatness in Band	dB	≤ ± 0.75		≤ ± 0.75
Return Loss	dB	≥ 16		≥ 16
Standard Output Level	dBuV	102	98	-
Max Output Level	dBuV	-	-	≥ 110
Noise Figure	dB	≤ 10		≤ 12
CTB	dB	62	61	-
CSO	dB	62	60	-
IM2	dB	-	-	≥ 52
Gain Stability	dB	≤ ± 1.0		≤ ± 1.0
Group delay	ns	≤ 10(112.25MHz/116.68MHz)		≤ 20(57MHz/59MHz)
Gain Control	dB	0-20		
Slope Control	dB	0-20		
AGC Accuracy	dB	± 3/± 0.3		-
Resistance	Ω	75Ω		
Carrier Alteration Voice Ratio	%	<2		
LightningArrester(10/700us)	KV	>5		
Standard Power Supply (AC 50Hz)	V	60VACor220VAC		
Power Consumption	W	40		

* Freq-split 42/58/87 optional